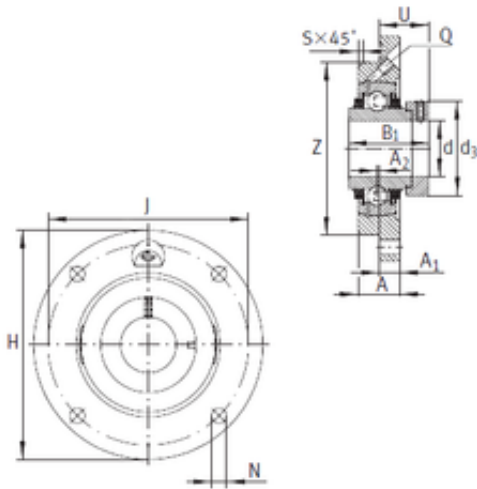




NTN Bearing Manufacturing



INA TME75 ball bearings units

Bearing No. TME75

Bore Diameter	75 mm
d	75 mm
U	45,6 mm
Thread (Q)	Rp1/8
Z	160 mm
d3	100 mm
A	32 mm
A1	18 mm
B1	67 mm
H	220 mm
J	184 mm
N	18 mm
S	6 mm
Weight	5,76 Kg
Basic dynamic load rating (C)	62 kN
Category	Flange Block Bearings
Inventory	0.0
Manufacturer Name	SCHAEFFLER GROUP
Minimum Buy Quantity	N/A
Weight / Kilogram	5.54
EAN	4012802074741
Product Group	M06110
Number of Mounting Holes	4
Mounting Method	Eccentric Collar
Housing Style	4 Bolt Round Flange Cartridge

TME75 Bearing 2D drawings and 3D CAD models



NTN Bearing Manufacturing

Rolling Element	Ball Bearing
Housing Material	Cast Iron
Expansion / Non-expansion	Non-expansion
Mounting Bolts	18 Millimeter
Relubricatable	Yes
Insert Part Number	GE75KPPB3
Seals	Double Triply
Housing Configuration	1 Piece Solid
Pilot Configuration	With Pilot
Inch - Metric	Metric
Long Description	4 Bolt Round Flange Cartridge; 75MM Bore; 184MM Bolt Circle; 130.1MM Bolt Spacing; 1 Piece Solid; Eccentric Collar Mount; Cast Iron; Ball Bearing; 67.1MM Length Thru Bore; Relubricatable; Double Tripl
Other Features	Single Row Centering Spigot With Set Screw
Category	Flange Block
UNSPSC	31171501
Harmonized Tariff Code	8483.20.40.40
Noun	Bearing
Keyword String	Flanged
Manufacturer URL	http://www.ina.com
Manufacturer Item Number	TME75
Weight / LBS	12.194
Cartridge Pilot Diameter	6.299 Inch 160 Millimeter
Nominal Bolt Circle Diameter Round	7.2 Inch 184 Millimeter
Length Thru Bore	2.642 Inch 67.1 Millimeter
Bore	2.953 Inch 75 Millimeter
Cartridge Pilot Depth	0.315 Inch 8 Millimeter



NTN Bearing Manufacturing

Bolt Spacing	5.122 Inch 130.1 Millimeter
--------------	----------------------------------